

STORING THE UNIT

1. After playing, an adult should empty all water from the unit.
2. Drain the pump by pressing it repeatedly until no water comes out.
3. Dry the unit thoroughly.
4. Store contents in the sink basin and replace the sink top for safe keeping.
5. Store the unit in a cool, dry place away from sunlight.

⚠ WARNING:

- Constant competent adult supervision must be present when children are playing around water.
- Use **ONLY** clean water (other liquids may damage the pump) and discard water after playing. Dry thoroughly.
- Keep unit away from electrical outlets, cords, and kitchen appliances such as toasters, mixers, etc.
- Wash accessories thoroughly before use and do not use with real food.
- Burners are for pretend play only.

LIMITED WARRANTY

The Little Tikes Company makes fun, high quality toys. We warrant to the original purchaser that this product is free of defects in materials or workmanship for one year * from the date of purchase (dated sales receipt is required for proof of purchase). At the sole election of The Little Tikes Company, the only remedies available under this warranty will be the replacement of the defective part or replacement of the product. This warranty is valid only if the product has been assembled and maintained per the instructions. This warranty does not cover abuse, accident, cosmetic issues such as fading or scratches from normal wear, or any other cause not arising from defects in material and workmanship. *The warranty period is three (3) months for daycare or commercial purchasers. U.S.A and Canada: For warranty service or replacement part information, please visit our website at www.littletikes.com, call 1-800-321-0183 or write to: Consumer Service, The Little Tikes Company, 2180 Barlow Road, Hudson OH 44236, U.S.A. Some replacement parts may be available for purchase after warranty expires—contact us for details. Outside U.S.A and Canada: Contact place of purchase for warranty service. This warranty gives you specific legal rights, and you may also have other rights, which vary from country/state to country/state. Some countries/states do not allow the exclusion or limitation of incidental or consequential damages, so the above limitation or exclusion may not apply to you.

Please keep this manual as it contains important information.



© The Little Tikes Company, an MGA Entertainment company. LITTLE TIKES® is a trademark of Little Tikes in the U.S. and other countries. All logos, names, characters, likenesses, images, slogans, and packaging appearance are the property of Little Tikes.
Printed in China
0420-0-E7C



www.littletikes.com
www.littletikes.co.uk
www.littletikes.com.au

Little Tikes Consumer Service
2180 Barlow Road Hudson, Ohio
44236 U.S.A.
1-800-321-0183

MGA Entertainment UK Ltd.
50 Presley Way, Crownhill, Milton Keynes,
MK8 0ES, Bucks, UK
0800 521 558

Imported by MGA Entertainment Australia Pty Ltd
Suite 2.02, 32 Delhi Road
Macquarie Park NSW 2113
1300 059 676



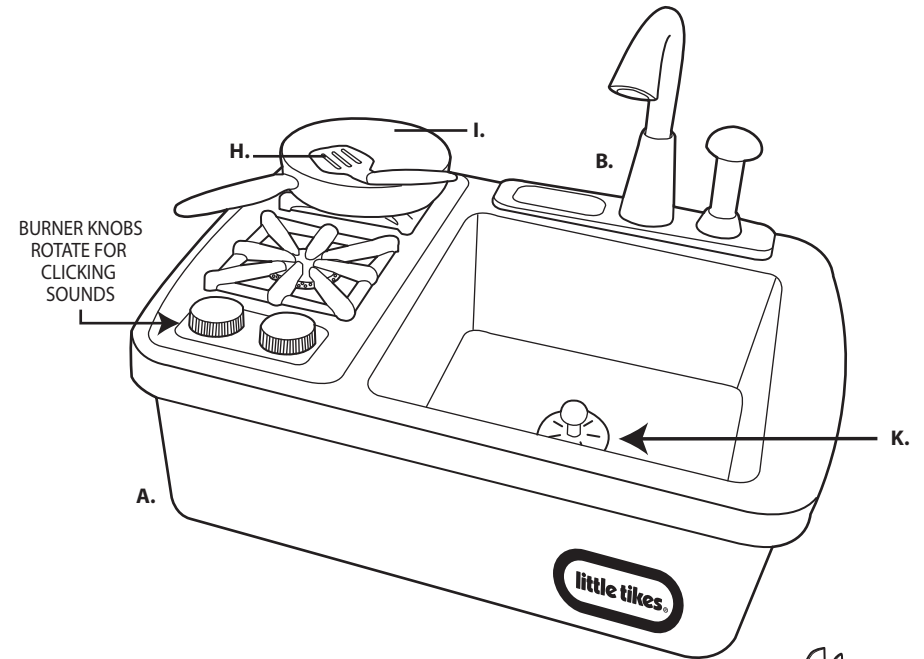
⚠ WARNING:

Adult assembly required. Prior to assembly, this package contains small parts: hardware which is a choking hazard and may contain sharp edges. Keep away from children until assembled. Adult supervision required.

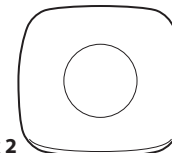
CONTENTS

- | | |
|---------------------------------------|--------------------|
| A. 1 Little Tikes® First Sink & Stove | G. 2 Spoons |
| B. 1 Faucet | H. 1 Spatula |
| C. 2 Cups | I. 1 Frying Pan |
| D. 2 Plates | J. 1 Pair of Tongs |
| E. 2 Knives | K. 1 Sink Stopper |
| F. 2 Forks | L. 3 screws |

TOOLS NEEDED:
SCREWDRIVER
(not included)



C. x 2



D. x 2



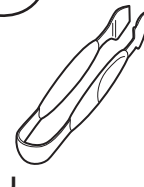
E. x 2



F. x 2



G. x 2



J.

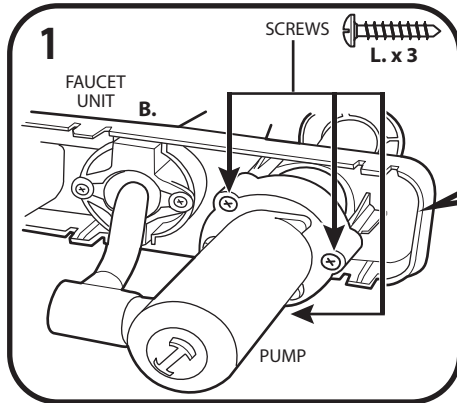


L. x 3

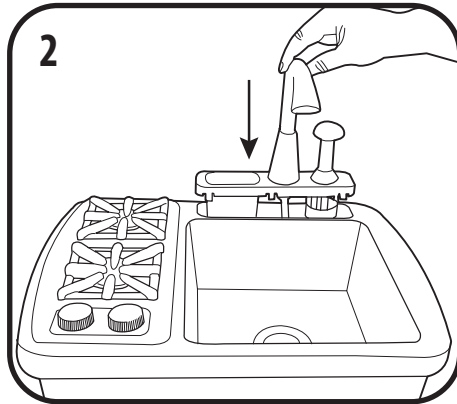
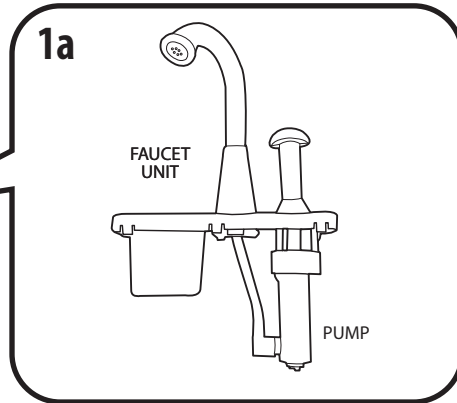
Illustrations are for reference only. Styles may vary from actual contents.

PUMP ASSEMBLY

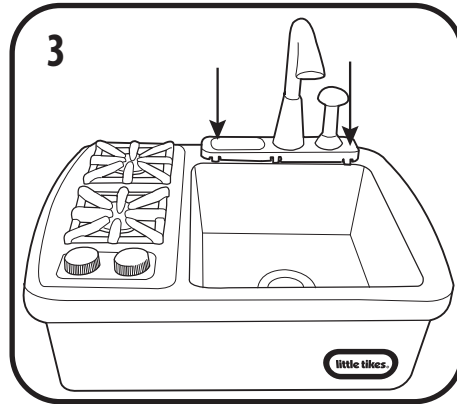
Before playing, cover the area to prevent possible water damage.



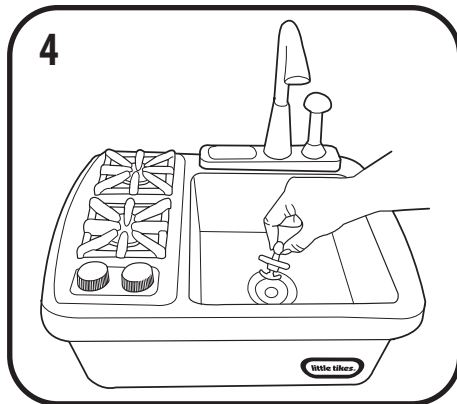
Use a screwdriver (not included) to assemble the pump onto the faucet (B) with the three screws (L).



Fit faucet/pump assembly into the opening in the sink. The faucet should face the sink basin.



Press down firmly on the faucet/pump unit until it snaps into place. **NOTE:** Faucet pump/unit cannot be removed once assembled.

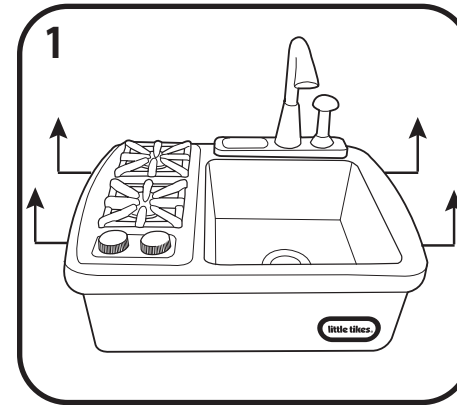


Hold sink stopper over the sink drain and press down firmly until it pops into place.

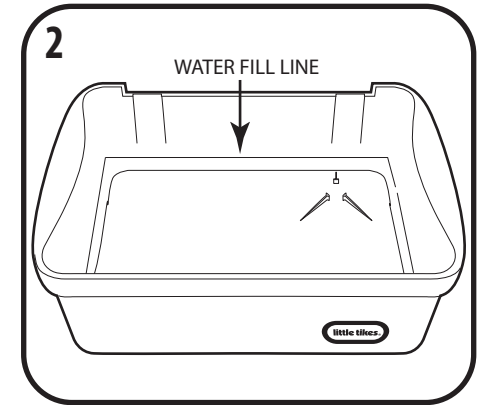
2

USING THE SINK

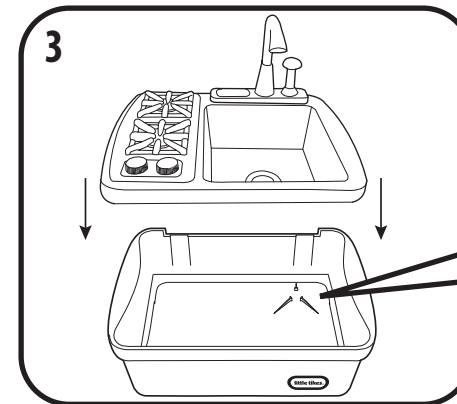
Before playing, cover the area to prevent possible water damage.



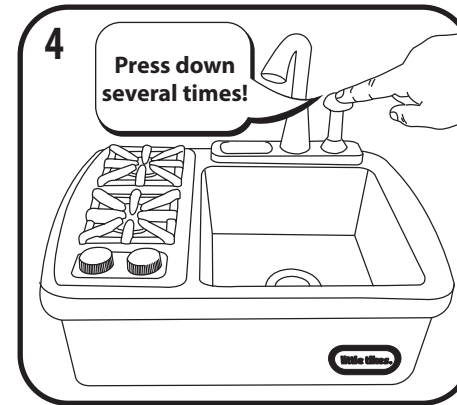
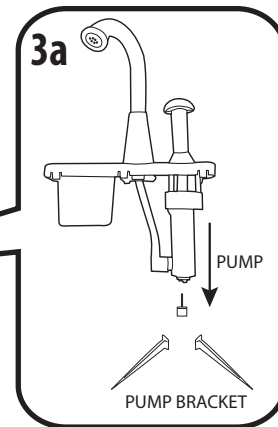
Pull outward on the side edges of the sink top and lift to remove the top from the sink base.



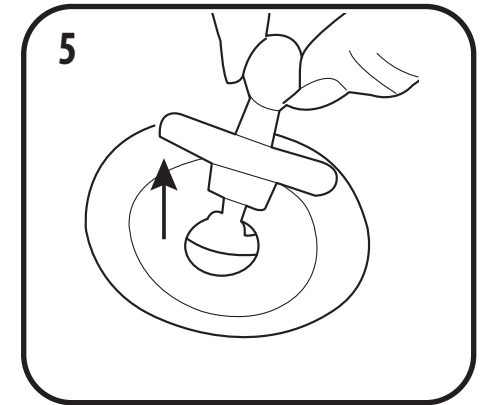
Fill sink base **ONLY** with clean, clear water up to the water fill line. **DO NOT** use other liquids or soap of any kind with the sink.



Place the sink top onto the sink base and press firmly. **NOTE:** The pump will fit into the pump bracket.



With the stopper fully covering the sink drain, press down on the pump plunger **several** times until water begins to flow out of the faucet and into the sink.



After you are finished playing, lift the sink stopper slightly and hold to drain water from sink basin.

3