

IMPORTANT INFORMATION

- Always wear protective eyewear when using a hammer.
- Drive stakes completely into the ground to avoid tripping hazard.
- Disconnect the hose after use. Do not store the unit connected to the hose.
- Thoroughly dry the unit before storing. Store out of direct sunlight.

DISPOSAL

- Disassemble and dispose of equipment in such a manner that no hazardous conditions such as, but not limited to, small parts and sharp edges exist at the time equipment is discarded.

LIMITED WARRANTY

The Little Tikes Company makes fun, high quality toys. We warrant to the original purchaser that this product is free of defects in materials or workmanship for one year * from the date of purchase (dated sales receipt is required for proof of purchase). At the sole election of The Little Tikes Company, the only remedies available under this warranty will be the replacement of the defective part or replacement of the product. This warranty is valid only if the product has been assembled and maintained per the instructions. This warranty does not cover abuse, accident, cosmetic issues such as fading or scratches from normal wear, or any other cause not arising from defects in material and workmanship. *The warranty period is three (3) months for daycare or commercial purchasers. U.S.A and Canada: For warranty service or replacement part information, please visit our website at www.littletikes.com, call 1-800-321-0183 or write to: Consumer Service, The Little Tikes Company, 2180 Barlow Road, Hudson OH 44236, U.S.A. Some replacement parts may be available for purchase after warranty expires—contact us for details. Outside U.S.A and Canada: Contact place of purchase for warranty service. This warranty gives you specific legal rights, and you may also have other rights, which vary from country/state to country/state. Some countries/states do not allow the exclusion or limitation of incidental or consequential damages, so the above limitation or exclusion may not apply to you.



Splash Face™

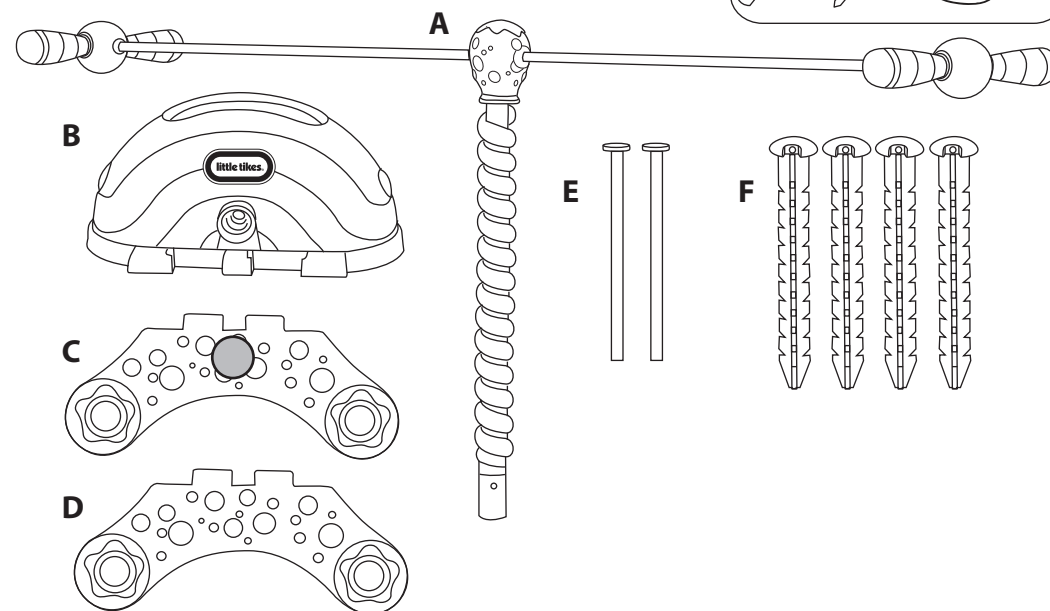
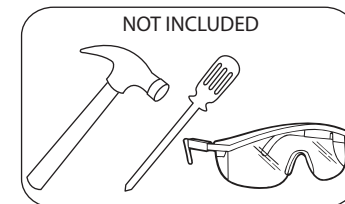
(ENG)

SKU: 645631C
AGES 4+ YEARS

ADULT ASSEMBLY AND SUPERVISION REQUIRED

CONTENTS

- A. 1 Center Post with Ropes
- B. 1 Base
- C. 1 Left Support
- D. 1 Right Support
- E. 2 Bolts
- F. 4 Stakes



Illustrations are for reference only. Styles may vary from actual contents.

⚠ WARNING:

ADULT ASSEMBLY REQUIRED.

- Prior to assembly, this package contains small parts: hardware which is a choking hazard and may contain sharp edges and sharp points. Keep away from children until assembled.
- Constant, competent adult supervision is required when children are playing near water. Do not leave children unattended.
- This product is intended for outdoor domestic family use only.
- This product is intended for use by children ages 4 years and up.
- TO AVOID INJURY: Do not allow more than one player per side to play the game.
- Only use on a grass area. Never use on concrete or hard surfaces.
- Use this product on a level surface and avoid using near swimming pools, on or near steps, hills or inclines.
- Keep the area around the product clean, and clear of objects, to prevent slips and falls.
- Do not allow children to sit, stand, play or climb on the top of surface. Failure to do so may cause the product to become unstable.
- Intended for use with the supplied accessories only.
- Never use with anything except clean hose water. Use of other liquids may be harmful or may cause damage the unit.
- Do not store or leave the hose in the product when not in use.
- Keep these instructions for future reference.

Please keep this manual as it contains important information.



0917-0-C

© The Little Tikes Company, an MGA Entertainment company. LITTLE TIKES® is a trademark of Little Tikes in the U.S. and other countries. All logos, names, characters, likenesses, images, slogans, and packaging appearance are the property of Little Tikes. Little Tikes Consumer Service
2180 Barlow Road Hudson, Ohio 44236 U.S.A.
1-800-321-0183
Printed in China

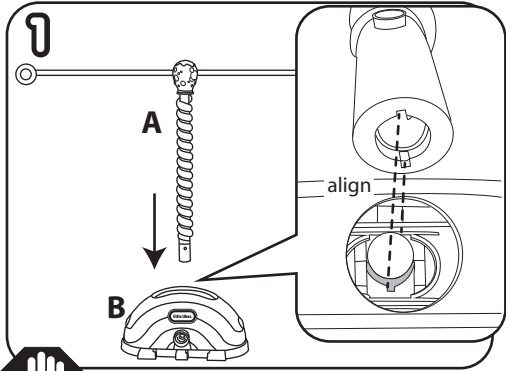
MGA Entertainment UK Ltd
50 Presley Way
Crownhill
Milton Keynes
MK8 0ES
Bucks, UK
0800 521 558

www.littletikes.com
www.littletikes.co.uk



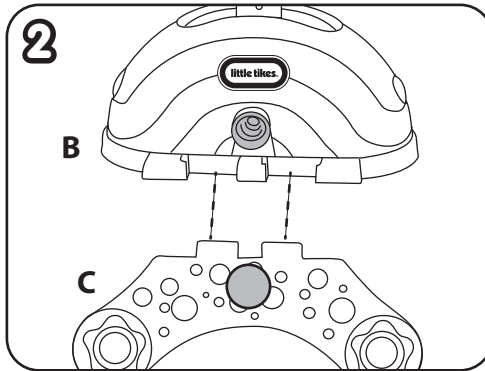
Visit our website at www.littletikes.com to register your product and to enter our sweepstakes. (No purchase necessary)

ASSEMBLY

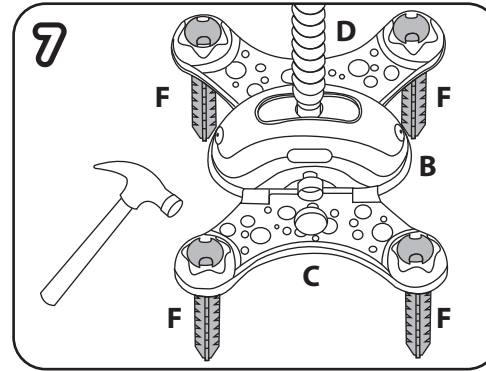


ATTENTION: ONCE THE POST IS SNAPPED IN PLACE IT CANNOT BE REMOVED.

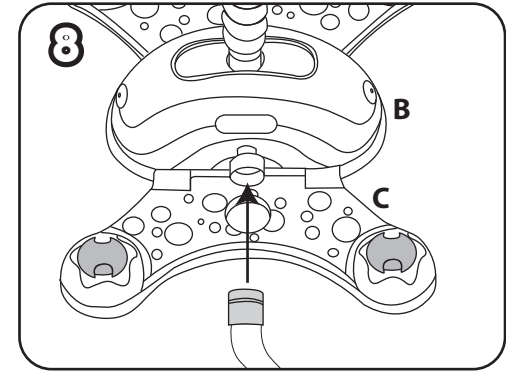
Insert the center post (A) into the base (B) and align the slots on the post with the tabs in the base opening. Then, snap it in place. The ropes should be parallel with the long side of the base.



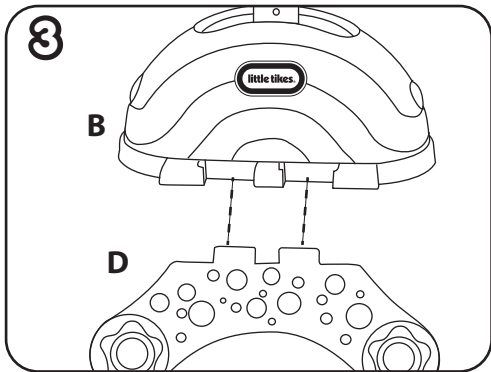
Align the left support (C) with the side of the base (B). NOTE: The left support has an opening for the hose connector.



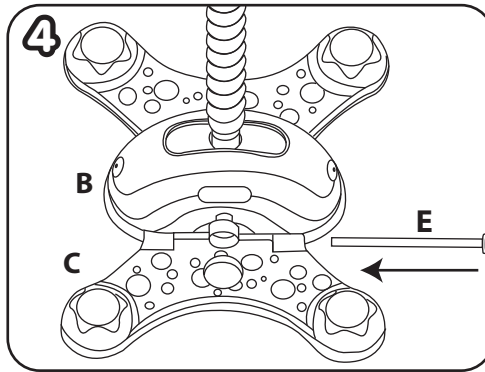
Turn the unit upright, and insert four stakes (G) through the support openings. Hammer them into the ground until they are completely flush with the supports (C and D).



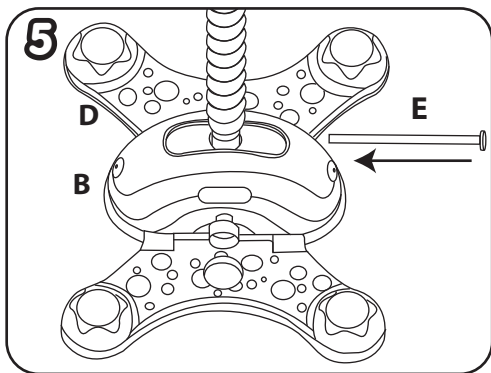
Insert a garden hose (not included) into the hose connector. Twist the connector piece clockwise until it is securely attached to the hose.



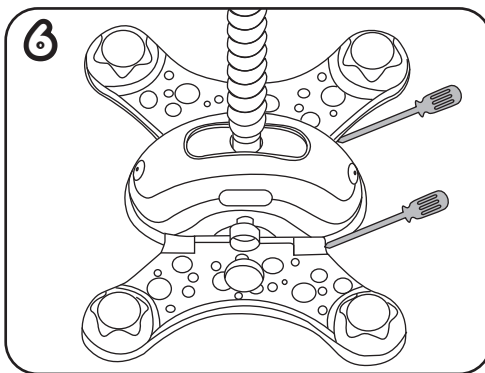
Align the right support (D) with the other side of the base (B).



Slide one bolt (E) all the way through the base (B) and left support (C).



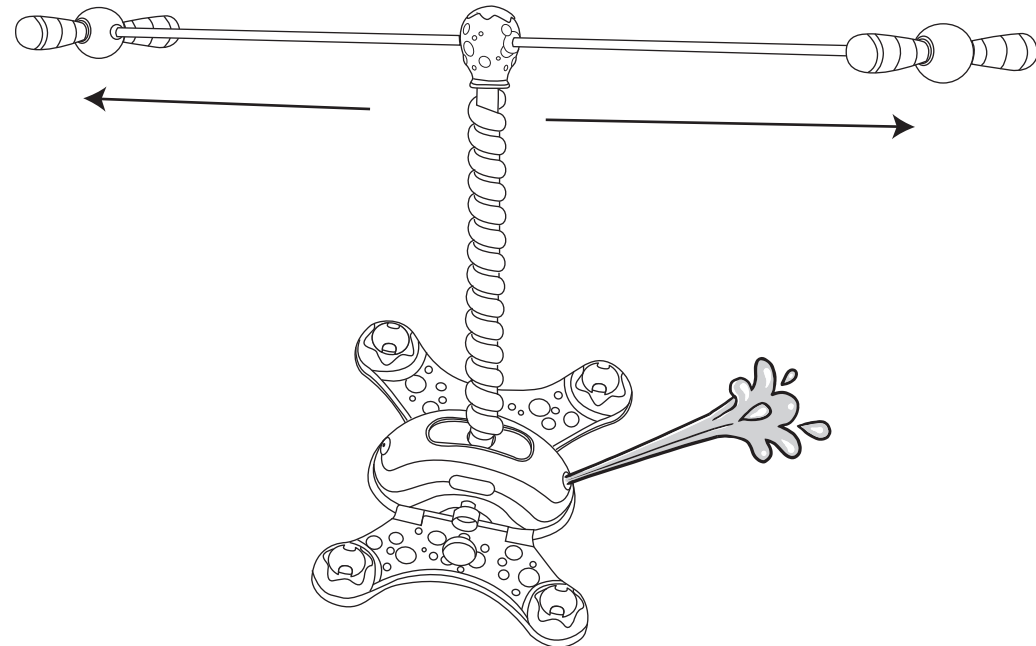
Slide the other bolt (E) all the way through the base (B) and right support (D).



Secure both bolts with a screwdriver.

GAME PLAY

Before beginning, protect the play area from possible water damage.



1. Turn on the hose (not included).
 2. Each player holds one side of the rope.
 3. Pull the rope handles at the same.
 4. When the rope is pulled farther in one direction, the other player will get splashed!
- NOTE: Always turn off the hose and detach it from the unit after playing.